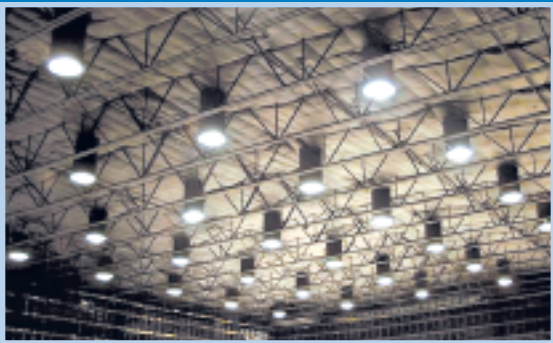


# NATURAL LIGHT TUBULAR SKYLIGHTS

*The Difference is Night and Day!*



*Dark warehouses and commercial office buildings are no match for Natural Light's 21" tubular skylights. Installed on virtually any type of roof surface in under two hours, our 21" commercial units are capable of delivering up to 1400 watts of light without heat gain or the heat loss of a standard framed-in skylight.*



**25 YEAR PRODUCT WARRANTY**

ICC-ES LISTED

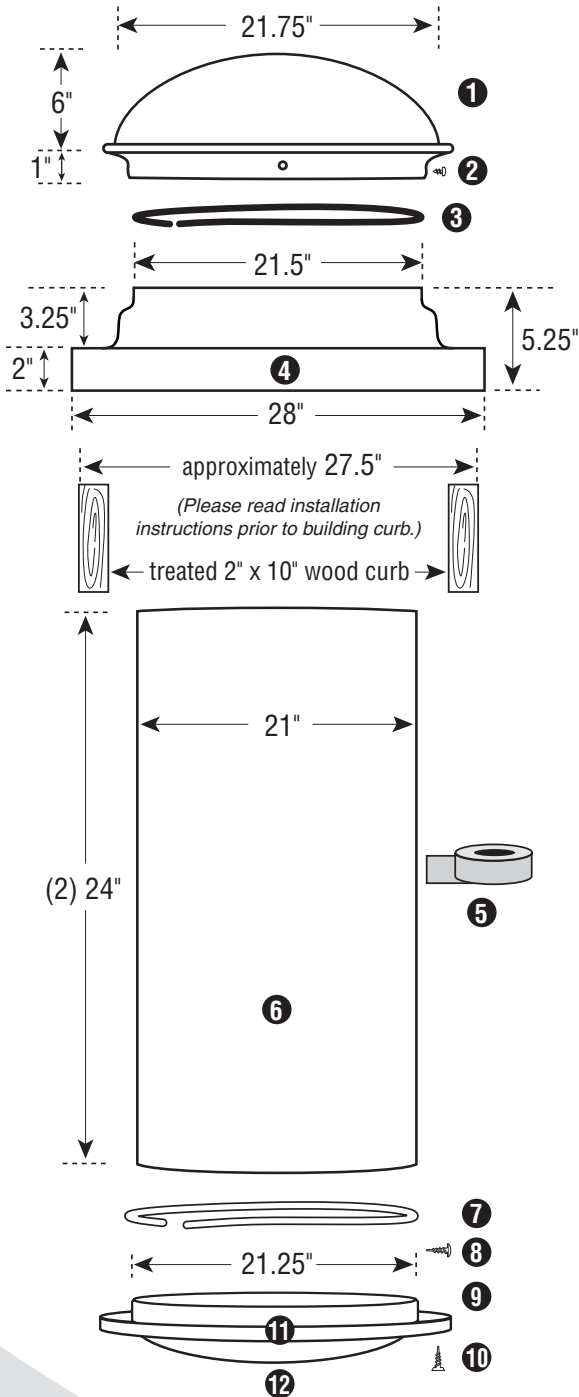
FLORIDA BUILDING CODE APPROVED

HURRICANE TESTED & APPROVED

 **Natural Light**  
ENERGY SYSTEMS

[www.nltubular.com](http://www.nltubular.com)

# 21" Curb Tubular Skylight Technical Specifications



## 21" CURB-MOUNTED FLASHING

1. Clear UV Protected, 100% High Impact Modified Acrylic Dome
2. (4) Philips Head Stainless Steel 1/4" Sheet Metal Screws
3. Black Nylon Horse Hair Gasket (Self-Adhesive Backed)
4. Commercial Pure Grade, 1100 Series Aluminum Flashing
5. Heavy Duty Foil Tape
6. Light Pipe, (2) 24" Sections per Kit
7. White Nylon Horse Hair Gasket (Self-adhesive Backed)
8. (6) Tek Screws
9. (3) Black Speed Nuts
10. (3) 1 1/2" Phillips Screws
11. White Powder Coated Aluminum Trim Ring/Ceiling Ring
12. High Impact Acrylic Soft White or Prismatic Diffuser

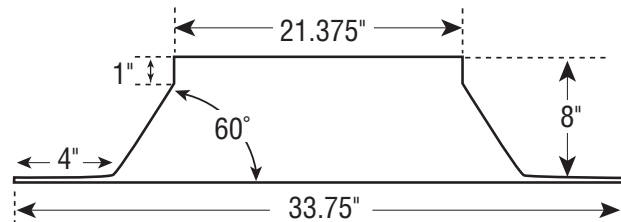
COVERAGE AREA - up to 700 sq. ft.

WATTAGE OUTPUT EQUIVALENT - up to 1450 watts

MAXIMUM TUBE LIGHT LENGTH - 20 feet

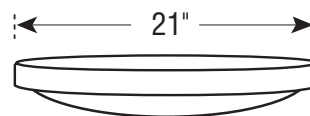


## 21" FLAT ROOF FLASHING



## WAREHOUSE 21" TRIM RING

for suspended installations in open ceilings



## TRANSITION BOX

for drop ceiling installations

