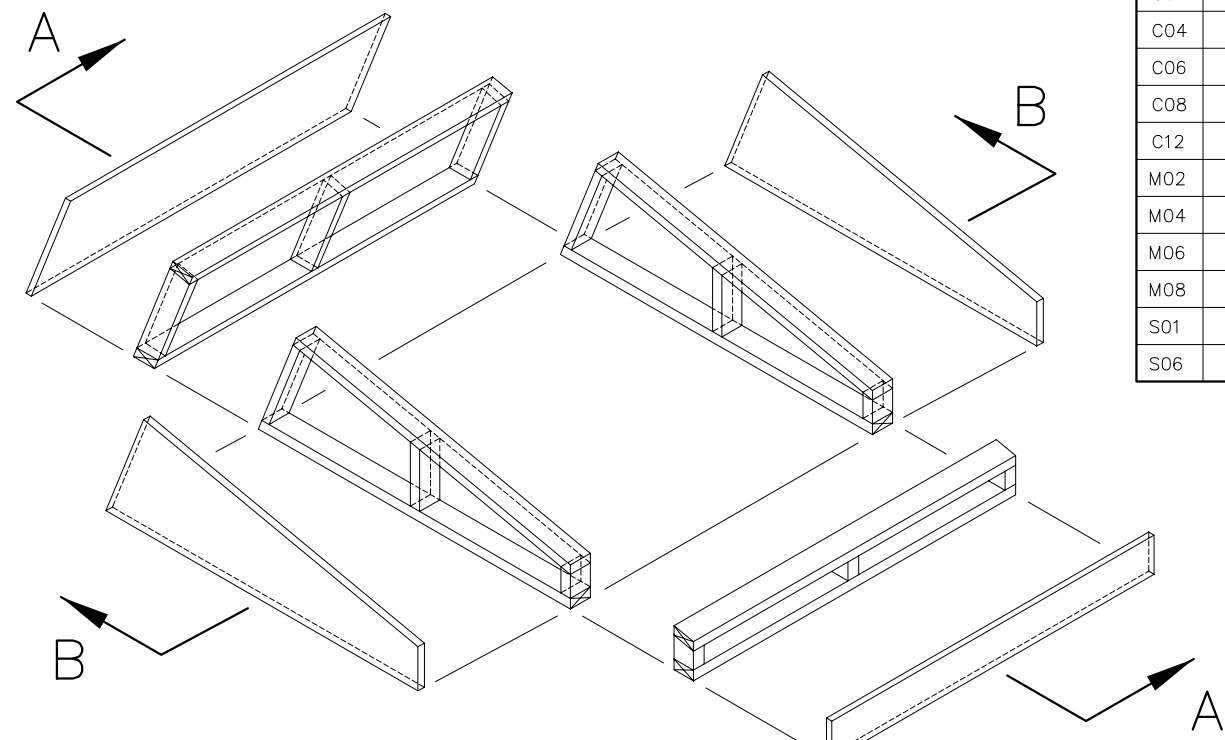


**ELEVATION**

Not to Scale

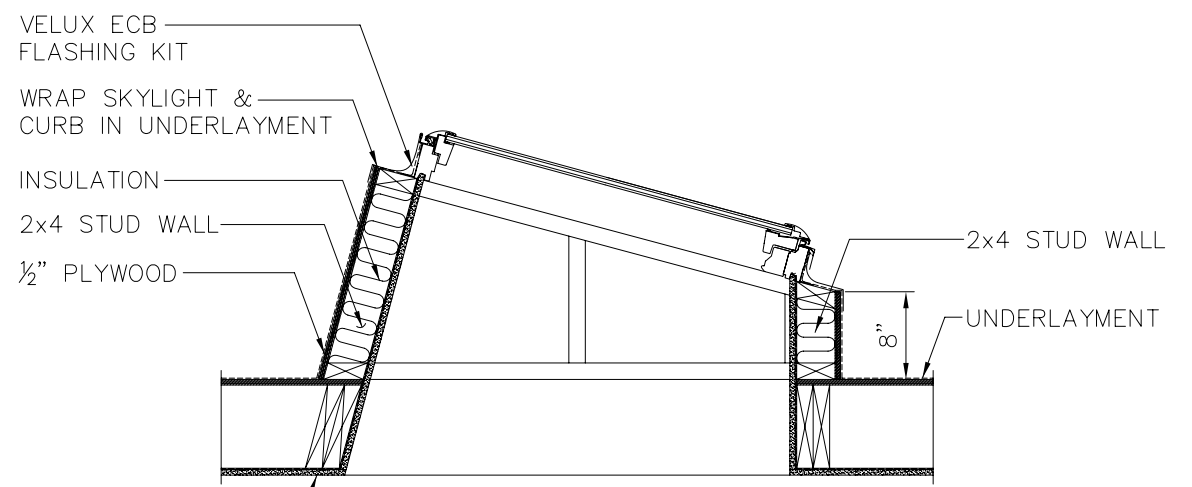
**Dimension Schedule (Inches)**

Size	W	H	X	Y
C01	20 <sup>3</sup> / <sub>8</sub>	26 <sup>5</sup> / <sub>8</sub>	17 <sup>1</sup> / <sub>8</sub>	29 <sup>3</sup> / <sub>8</sub>
C04	20 <sup>3</sup> / <sub>8</sub>	37 <sup>5</sup> / <sub>8</sub>	20 <sup>1</sup> / <sub>4</sub>	41 <sup>5</sup> / <sub>8</sub>
C06	20 <sup>3</sup> / <sub>8</sub>	45 <sup>5</sup> / <sub>8</sub>	22 <sup>3</sup> / <sub>8</sub>	49 <sup>3</sup> / <sub>8</sub>
C08	20 <sup>3</sup> / <sub>8</sub>	54 <sup>1</sup> / <sub>8</sub>	24 <sup>1</sup> / <sub>8</sub>	58 <sup>7</sup> / <sub>8</sub>
C12	20 <sup>3</sup> / <sub>8</sub>	69 <sup>1</sup> / <sub>8</sub>	28 <sup>1</sup> / <sub>8</sub>	74 <sup>1</sup> / <sub>8</sub>
M02	29 <sup>7</sup> / <sub>8</sub>	29 <sup>1</sup> / <sub>8</sub>	18 <sup>1</sup> / <sub>8</sub>	33 <sup>3</sup> / <sub>8</sub>
M04	29 <sup>7</sup> / <sub>8</sub>	37 <sup>5</sup> / <sub>8</sub>	20 <sup>1</sup> / <sub>4</sub>	41 <sup>5</sup> / <sub>8</sub>
M06	29 <sup>7</sup> / <sub>8</sub>	45 <sup>5</sup> / <sub>8</sub>	22 <sup>3</sup> / <sub>8</sub>	49 <sup>3</sup> / <sub>8</sub>
M08	29 <sup>7</sup> / <sub>8</sub>	54 <sup>1</sup> / <sub>8</sub>	24 <sup>1</sup> / <sub>8</sub>	58 <sup>7</sup> / <sub>8</sub>
S01	43 <sup>5</sup> / <sub>8</sub>	26 <sup>5</sup> / <sub>8</sub>	17 <sup>1</sup> / <sub>8</sub>	29 <sup>3</sup> / <sub>8</sub>
S06	43 <sup>5</sup> / <sub>8</sub>	45 <sup>5</sup> / <sub>8</sub>	22 <sup>3</sup> / <sub>8</sub>	49 <sup>3</sup> / <sub>8</sub>



**EXPLODED VIEW**

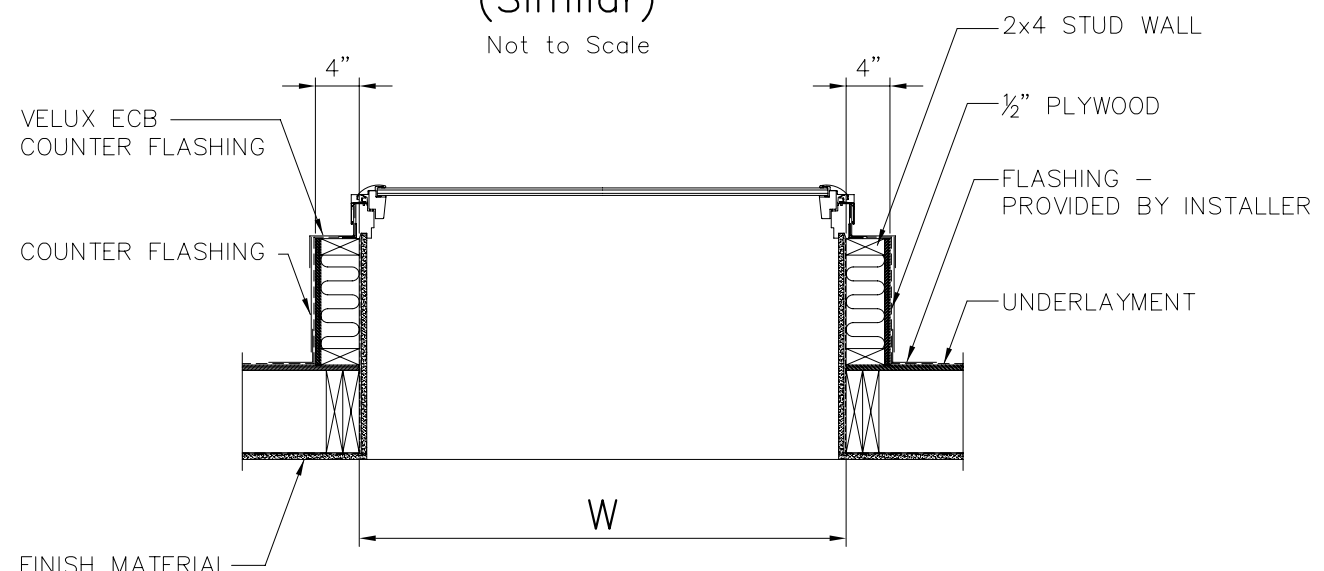
Not to Scale



**SECTION A-A**

(Similar)

Not to Scale



**SECTION B-B**

(Similar)

Not to Scale


**GENERAL NOTES**

1. THIS DRAWING ILLUSTRATES A GENERAL ARRANGEMENT LAYOUT WITH RECOMMENDATIONS FOR VELUX SKYLIGHT INSTALLATIONS IN A STRUCTURE FOR FLAT ROOF APPLICATIONS ONLY.
2. THE ARCHITECTURAL/STRUCTURAL DESIGN AND SPECIFICATIONS OF A SKYLIGHT STRUCTURE FOR FLAT ROOF APPLICATIONS IS DETERMINED AND PROVIDED BY OTHERS. THE DESIGN CRITERIA INCLUDES, BUT IS NOT LIMITED TO DESIGN LOADS, STRUCTURAL CONFIGURATIONS, STRUCTURAL FRAMING MEMBER SIZES AND MATERIAL, ARCHITECTURAL FINISHES AND INTEGRATION WITH THE ROOFING SYSTEM OF THE BUILDING. VELUX ASSUMES NO RESPONSIBILITY OR LIABILITY IN THE DESIGN, CONSTRUCTION AND PERFORMANCE OF A SKYLIGHT STRUCTURE BY OTHERS.
3. VELUX ECB COUNTER FLASHING AVAILABLE IN SIZE 100, 300, 600 ONLY.

**DISCLAIMER FOR CONSTRUCTION DETAILS FOR ONSITE FABRICATION OF CURB**

THESE CONSTRUCTION DETAILS ARE PROVIDED TO ASSIST QUALIFIED INSTALLERS WITH FABRICATING CURBS FOR THE FS/VS/VSE MODELS FOR USE ON ROOFS WITH LESS THAN A 14° PITCH. IN PROVIDING THIS INFORMATION VELUX ATTEMPTS TO BE AS ACCURATE AS POSSIBLE. HOWEVER, VELUX MAKES NO CLAIMS, GUARANTIES OR PROMISES ABOUT THE ACCURACY OR COMPLETENESS OF THE INFORMATION PROVIDED. IN ADDITION, VELUX HEREBY DISCLAIMS ALL WARRANTIES, EXPRESS OR IMPLIED, INCLUDING, BUT NOT LIMITED TO, ANY IMPLIED WARRANTIES OF MERCHANTABILITY OR FITNESS FOR A PARTICULAR PURPOSE. ANYONE USING THESE CONSTRUCTION DETAILS ASSUMES ALL RESPONSIBILITY FOR DAMAGES ARISING OUT OF SUCH INSTALLATION OR USE OF THESE CONSTRUCTION DETAILS. VELUX SHALL HAVE NO LIABILITY FOR ANY DAMAGES SUFFERED BY ANY PARTY (REGARDLESS OF WHETHER OR NOT SUCH PARTIES HAVE BEEN ADVISED OF THE POSSIBILITY OF SUCH DAMAGES) RESULTING FROM THE USE OF THESE CONSTRUCTION DETAILS OR FROM PROBLEMS WITH CURBS FABRICATED ON SITE.

This drawing is an instrument of service and is provided for informational use only.

 Sky-Product Management	VELUX 1418 Evans Pond Road Greenwood, SC 29649 1-800-88-VELUX www.VELUXUSA.com		Name	Date
	Drawn by Checked by Drawing No.	JDH WQ	Feb 10 Feb 10	ECB01-0210
Framed-in Site-built 8" Curb for Deck Mount Skylight on Flat Roof Applications				