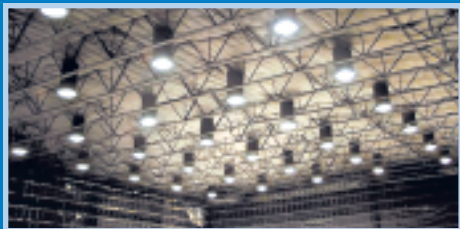




Dark warehouses and commercial office buildings are no match for Natural Light's 21" tubular skylights. Installed on virtually any type of roof surface in under two hours, our 21" commercial units are capable of delivering up to 1,450 watts of light without heat gain or the heat loss of a standard framed-in skylight.

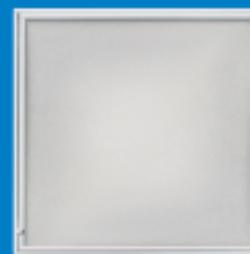


LIGHT OUTPUT: Illuminates up to 700 sf
Equivalent of up to 1,450 watts

FLASHING TYPES: Flat Roof Flashing
Curb Mount Flashing

LIGHT FIXTURES: Transition Box for Drop Ceilings
Warehouse Trim Ring
Standard Ceiling Trim Ring

AVAILABLE ACCESSORIES: Electric Light Kit
Dimmer Kit
Additional Light Pipe
Angle Adapter



PRISMATIC



SKYBRITE



FLAT ROOF FLASHING



STANDARD TRIM RING



WAREHOUSE TRIM RING



PRISMATIC

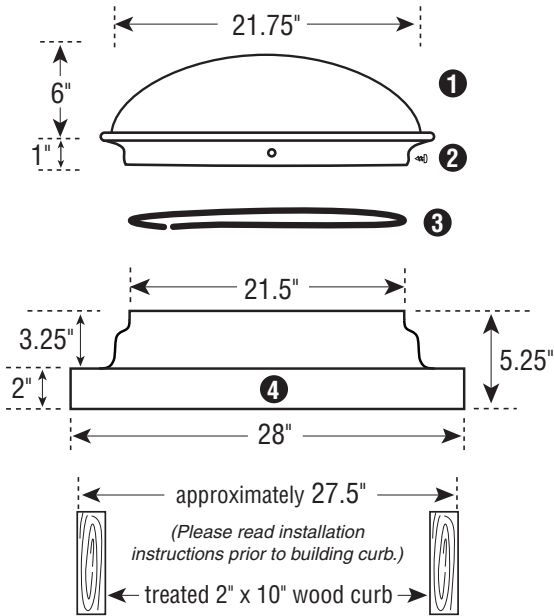


SOFT WHITE



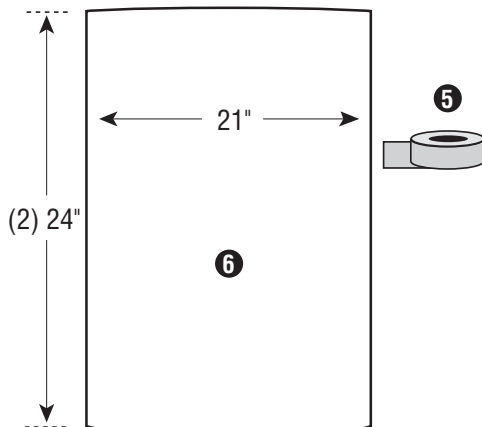
25 YEAR WARRANTY

ICC-ES LISTED • HURRICANE TESTED & APPROVED
FLORIDA BUILDING CODE APPROVED



TUBULAR SKYLIGHT COMPONENTS:

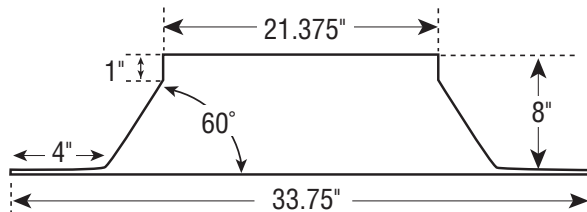
1. Clear UV Protected, 100% High Impact Modified Acrylic Dome
2. (4) Phillips Head Stainless Steel ¼" Sheet Metal Screws
3. Black Nylon Horse Hair Gasket (self-Adhesive)
4. Commercial Pure Grade, 1100 Series Aluminum Flashing
5. Heavy Duty Foil Tape
6. Light Pipe, (2) 24" Sections per Kit
7. White Nylon Horse Hair Gasket (self-adhesive)
8. (6) Tek Screws
9. (3) Black Speed Nuts
10. (3) 1 ½" Phillips Head Screws
11. White Powder Coated Aluminum Trim Ring/Ceiling Ring
12. High Impact Acrylic Diffuser



COVERAGE AREA - up to 700 sq. ft.
WATTAGE OUTPUT EQUIVALENT - up to 1,450 watts
MAXIMUM TUBE LIGHT LENGTH - 20 feet

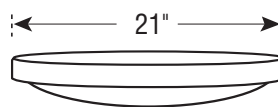


21" FLAT ROOF FLASHING



WAREHOUSE TRIM RING

for suspended installations
 in open ceilings



TRANSITION BOX

for drop ceiling installations

